



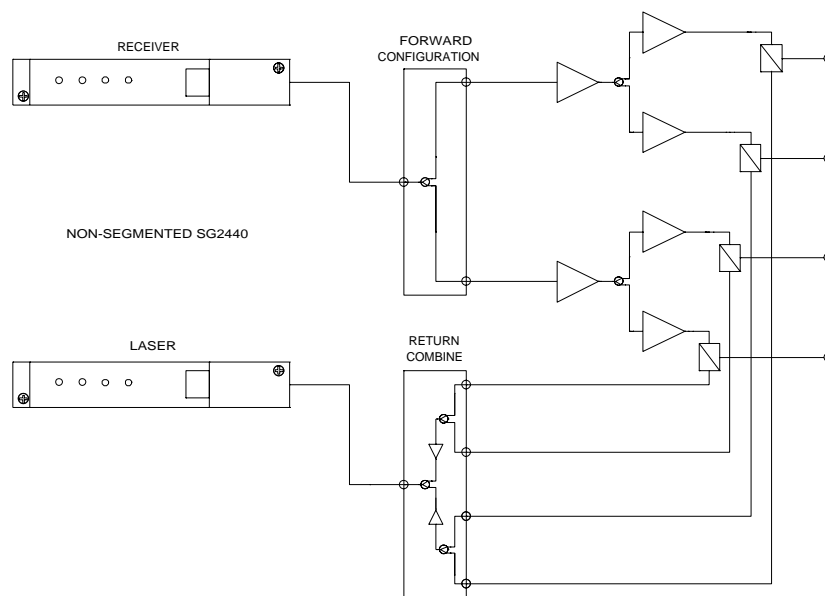
Cableserv MOTOROLA® SG2440 Series Node Segmentation Overview

The SG2440 was manufactured originally as a DUAL Segmentable Forward and Return platform.

This model is no longer supported by the original manufacturer.

The diagram below shows the base configuration for the SG2440 Series as normally deployed.

It is possible to implement the Forward and Return segmentation options independently.



Depending on fiber availability and required topology, Return Lasers are available in 1310nm, 1550nm and ITU CWDM 1470-1610nm.

SG2440 DUAL FORWARD AND DUAL RETURN SEGMENTATION

In this Dual Forward Segmentation, the original Forward receiver is retained, and via a new Forward Configuration module, now feeds 2 ports. A new CableServ Receiver feeds the other two ports.

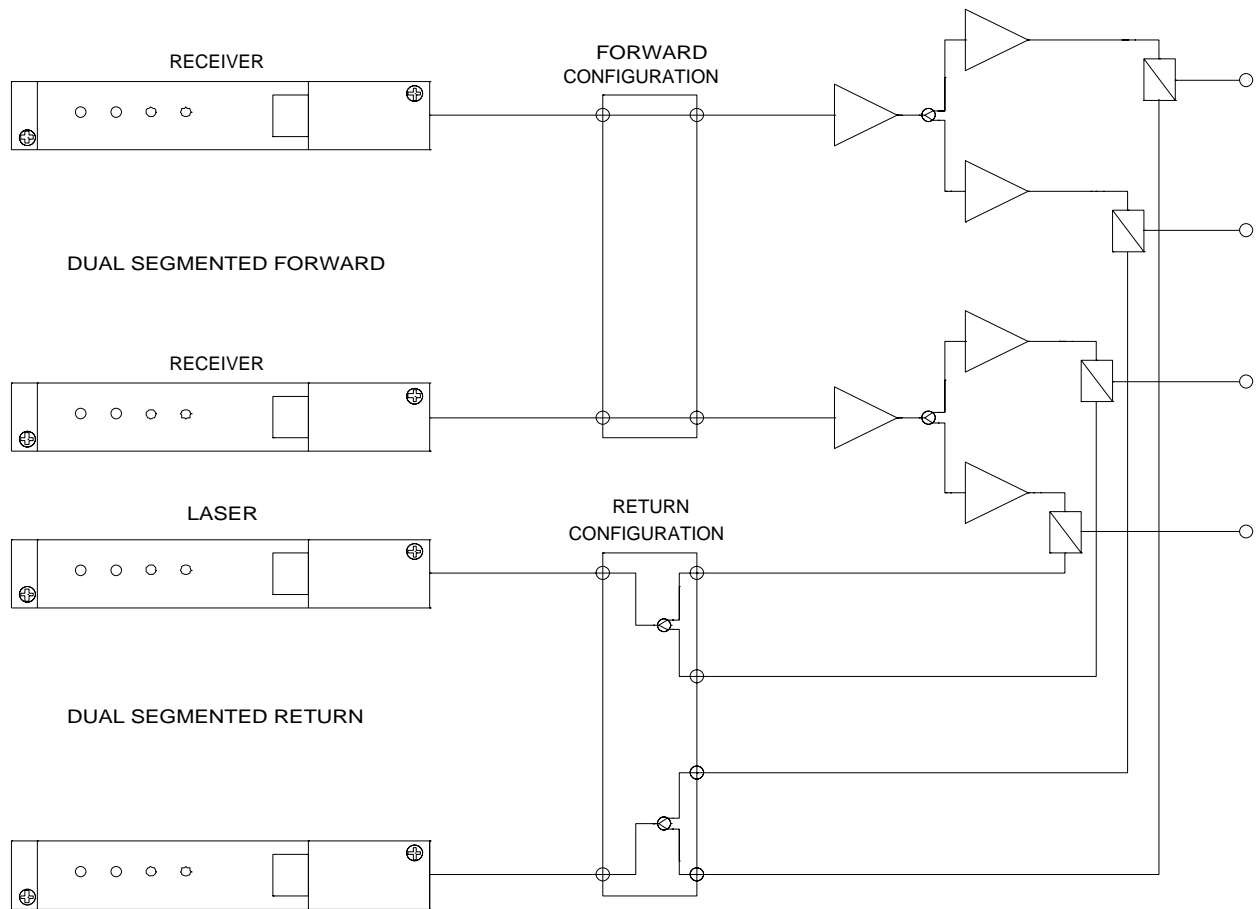
The new Return Configuration module directs 2 Return ports to a new Return Laser, and 2 ports to the existing Laser location.

A Dual Forward kit consists of:

- 1 Optical Receiver
- 1 Dual Forward Interstage Configuration Module

A Dual Return kit consists of:

- 1 Return Combiner
- 1 or 2 Return Laser modules depending on the planned fiber allocation (Dedicated fiber, WDM or CWDM).



Consult factory for specific kit part numbers and specifications.



CableServ Inc.
 949 Kamato Rd
 Mississauga, Ontario, Canada L4W 2R5
 Telephone: (905) 629-1111
 Fax: (905) 629-1115
 E-mail to: inquiries@cableserv.com
 Visit us at www.cableserv.com

