

CableServ® SM-PS-I: Status Monitoring - Power Supply - Interface



Product Description

When faced with the challenge of implementing status monitoring of the CATV network power supplies, the traditional way to accomplish this is to collocate a status monitoring device in the power supply cabinet and inject the DOCSIS signals it generates into the CATV network via a drop cable and a RF coupler. In some situations limited space inside conduits or the long distance between power supplies and the RF network makes this traditional method of inserting the status monitoring signals difficult and costly. The CableServ® SM-PS-I has been designed to offer a quicker more cost effective solution for these situations.

The CableServ® SM-PS-I Status Monitoring Power Interface is designed to interface between the system power supply and the DOCSIS Network Monitoring Device. This allows a single hard cable connection from the power supply enclosure to the CATV network. The single cable then carries both the AC power and the DOCSIS RF monitoring signals, thus eliminating the need for a second cable and a separate power inserter (see diagram right).

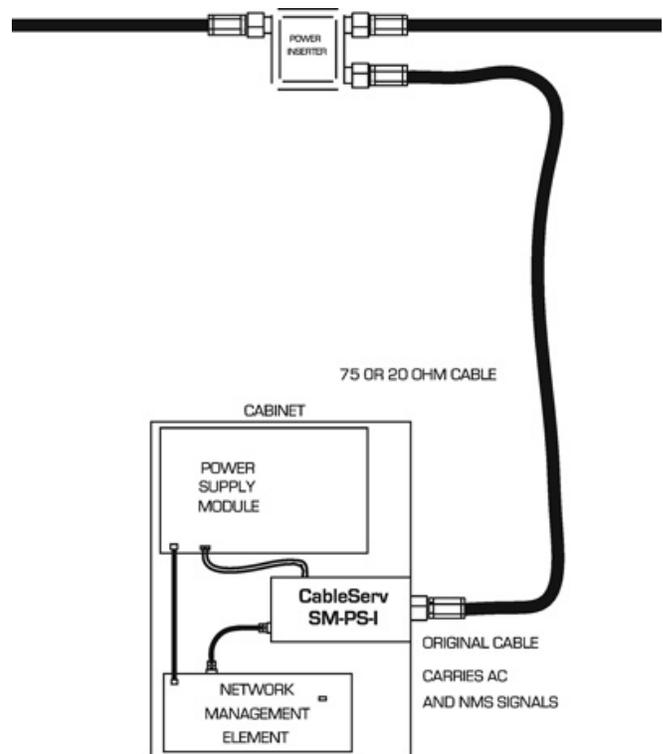
The CableServ® SM-PS-I is designed to be installed in most power supply cabinets and can be removed or replaced without removal of the main cable entry assembly. An auxiliary power connection and transfer switch enables system AC power connection from a mobile source during power outages or power supply maintenance. A LED indicates the presence of primary power, and a test point provides for fast measurement of AC voltage. The Dual Partition Enclosure provides a RF shielding of better than -110 RFI.

Applications

- Replace AC power to 5/8" connector with combined AC & RF Interface



CableServ® SM-PS-I



Product Features

- Single network interconnect carrying system power and DOCSIS RF monitoring signals
- RF level control with SXP Pad
- RFI shielded cast aluminium package
- AC Test Points
- Emergency AC interconnect facility
- Built-in surge suppressor
- Full 24 month limited warranty

Product Specifications

CableServ Inc.

SPECIFICATIONS

CEL SM-PS-I/H SM-PWR SPLY INTERFACE			
Parameter	Notes	Units	Forward
Passband		MHz	5-862
Flatness		dB	±0.5
Through Loss			
@ 862 MHz		dB	<1.25
@ 5 MHz		dB	< 0.5
Manual Control			
SXP PAD		dB	0-20
Return Loss			
Input		dB	16
Output		dB	16
AC Input Voltage		Vac	30-90
AC Bypass Current (Max)		A	25
AC Bypass Current (Continuous)		A	20
HUM Modulation @ 15 A		dBc	-70
Surge Withstand	1	kV	6kV
EMI		dBc	-110
Weight		kg/lb	0.866 kg/ 1.91 lb
Dimensions (LxWxH)		mm	228.6x116.8x36.3
		inch	9.00x4.60x1.43
Operating Temperature		°C	-40 °C/55 °C

Specifications are subject to change without notice

Order Information

PRODUCT MODEL	CABLESERV PART #
CEL SM-PS-I/H SM-PWR SUPPLY INTERFACE	824-504-150-0CE
CEL SM-PS-I/V SM-PWR SUPPLY INTERFACE	824-505-150-0CE



CableServ Inc.
 4560 Eastgate Parkway
 Mississauga, Ontario, Canada L4W 3W6
 Telephone: (905) 629-1111
 Fax: (905) 629-1115
 Toll Free: 800-668-2033
 E-mail to: inquiries@cableserv.com
 Visit us at www.cableserv.com