



CableServ Forward and Return CWDM Multiplex products.

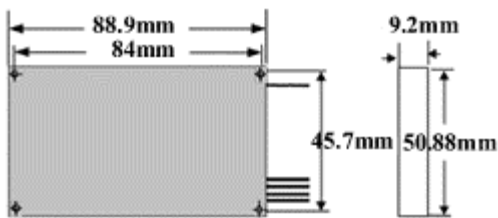
CableServ® offers a wide range of WDM and CWDM MUX and DEMUX modules to allow maximum utilization of existing fiber when implementing Node Segmentation.

CWDM modules are available in standard ITU channels and a variety of package styles and wavelength configurations.

All products designated for Outdoor application are wide temperature rated -40° to +85°C (-40°F to +185°F). Among the product offerings are:

WDM

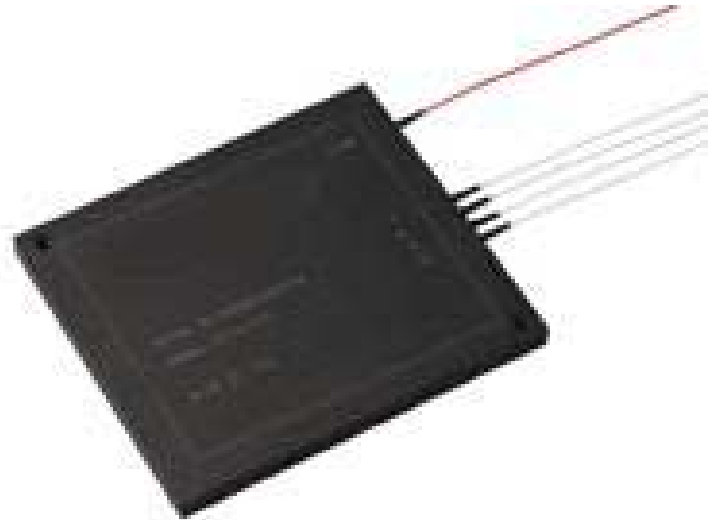
WDM MUX and DEMUX modules are available in both standard 1331nm/1550nm, and in wide band 1260-1360nm/1460-1620nm versions, which allow for 8 CWDM Return paths on a single fiber. Available in Flatpack or Cylinder pack with or without connectors.



CWDM

CWDM MUX and DEMUX modules are available in 2, 4 and 8 Channel versions. Once customer requirements are determined, these are usually supplied in kits with appropriate connectorization, mounting and protective coverings.

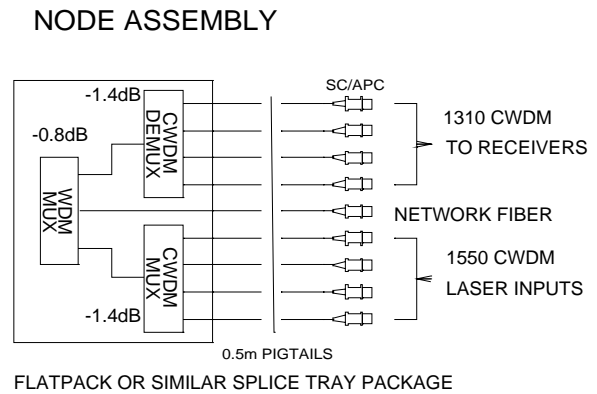
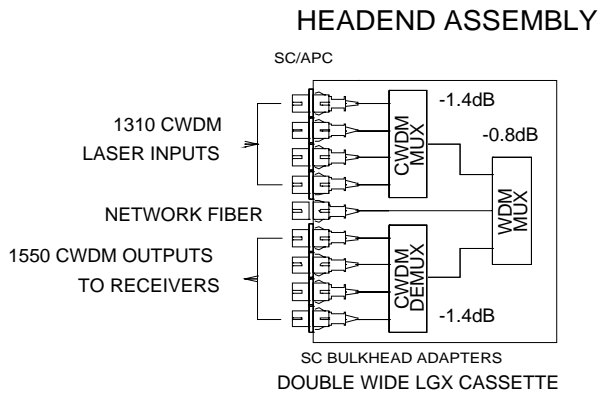
CWDM MUX modules are available in 2:1, 4:1 and 8:1 in Standard ITU Wavelengths. Various Connectorization, Buffering and Jacketing options are available.



Headend DEMUX modules are available in Industry Standard LGX packages, in Single or Double wide depending on configuration. LGX modules can be supported by single rack mount or 12 module support chassis'.



Specialized configurations are available, which can allow a Node to be Dual and even Quad Segmented employing a single fiber.



Consult Factory for available solutions and options.



CableServ Inc.
 949 Kamato Rd
 Mississauga, Ontario, Canada L4W 2R5
 Telephone: (905) 629-1111
 Fax: (905) 629-1115
 E-mail to: inquiries@cableserv.com
 Visit us at <http://www.cableserv.com/>