

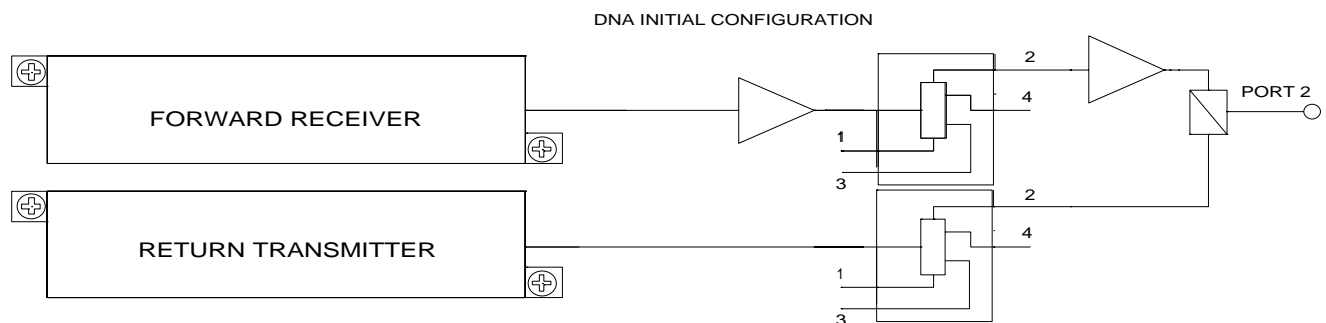


## Cableserv PHILIPS® DNA Series Node Segmentation Overview

The PHILIPS® DNA was manufactured originally as a 4 output node.

This model was intended for Dual Return segmentation, but was only produced in a Single Forward configuration.

The diagram below shows the base configuration for the DNA Series as normally deployed.



### 6DNA DUAL RETURN SEGMENTATION

The new Return Interstage Configuration module directs 2 ports (upper left and lower left) to a new Return Laser, and 2 ports (upper right and lower right) to the existing Laser location.

A Dual Return kit consists of:

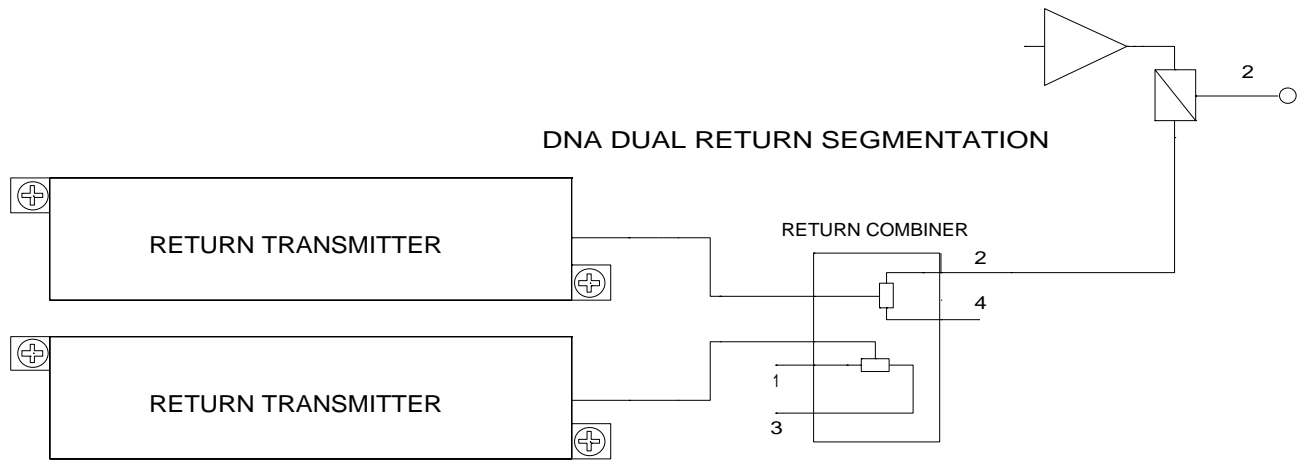
1 Return Combiner

1 Lid Mount Routing module

1 or 2 Return Laser modules depending on the planned fiber allocation

(Dedicated fiber, WDM or CWDM)

Depending on fiber availability and required topology, Return Lasers are available in 1310nm, 1550nm and ITU CWDM 1470-1610nm.



**No alteration to the base 6DNA is required. The segmentation can be performed with the amplifier in operation, and only momentary Return Path interruptions.**

**Consult factory for specific kit part numbers and specifications.**



**CableServ Inc.**  
**4560 Eastgate Parkway**  
**Mississauga, Ontario, Canada L4W 3W6**  
**Telephone: (905) 629-1111**  
**Fax: (905) 629-1115**  
**Toll Free: 800-668-2033**  
**E-mail to: [inquiries@cableserv.com](mailto:inquiries@cableserv.com) Visit us at [www.cableserv.com](http://www.cableserv.com)**

---