

CHAS[®] HD

High Density Headend Amplifier Platform



Product Description

Modern small node HFC system designs segment and re-segment their subscriber base into highly targeted commercial zones. This results in a need for increased headend combining, amplification and isolation of a variety of signal packages that require an increasing number of Combining, Splitting, Insertion, Isolation and Distribution amplifiers in a limited amount of headend space.

The CHAS[®] HD high density platform series of economical amplifier modules for forward and reverse applications are ideal for use in modern headends where rack space is at a premium. These versatile amplifiers offer high performance, configurability, and efficient heat dissipation.

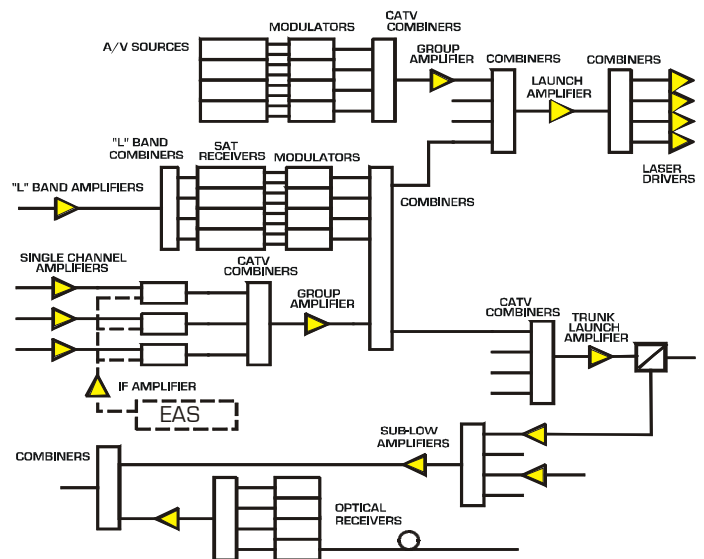
The highly flexible and configurable modular concept features a unique 12 bay chassis that mounts into standard 19" racking occupying only 5 Rack Units (8.75"), one of the most space efficient systems on the market today.

Automatic power source redundancy is incorporated in the chassis' dual power bus design which offers a variety of powering options including -48 VDC (30-85 VDC) and 85-264 VAC 50/60 Hz. Two built-in +24 VDC Auxiliary Input Panels enables the use of backup power and each chassis has two LEDs indicating the presence of one or two power supplies.

CHAS[®] HD amplifier modules can be ordered with optional status monitoring capability. The CHAS[®] HD Chassis includes a universal communications bus feeding module contact closure events to a front mounted connector array for connection to your NOC alarming system. Status monitoring equipped CHAS[®] HD amplifier modules are capable of monitoring temperature, current and voltage.

Applications

- Narrowcast Insertion/Isolation Amplifier
- Wideband Insertion/Isolation Amplifier
- Return Amplifier
- Reverse Isolation/Active Splitter



Product Features

- 5 RU rack mount chassis system holds up to twelve amplifier modules.
- -48VDC option and Redundant Powering with automatic switching.
- Bandwidths from 5 MHz to 1 GHz.
- Easy access to Slope and Gain controls and -20 dB Test Point.
- Power and Alarm status LED indicators.
- Status monitoring capable modules.

Product Specifications

Product specifications are available for all the amplifier modules listed on on the Order Information list.

Powering Options

Amplifiers may be powered from chassis mounted Power Modules or from a separate master supply. Each chassis will accept multiple (redundant) Power Modules which are available in the following voltage input ranges:

100 - 240VAC for North American and European Mains Operation
-48VDC for TELCO operation

When any two or more power sources are connected or installed in a chassis, they automatically operate in a redundant mode.

Order Information

PRODUCT MODEL	ORDER NUMBER
CHAS-HD-C 12 MODULE CHASSIS	824-702-100-OCE
CHAS-HD-PM 100-240VAC MAINS PWRSPPLY	824-704-150-OCE
CHAS-HD-PD -48VDC POWER SUPPLY	824-702-151-OCE
CHAS-HD-NI SGLHYB 870 PP 15DB AMP-A	824-702-200-OCE
CHAS-HD-NI SGLHYB 870 PP 19DB AMP-A	824-705-201-OCE
CHAS-HD-WI SGLHYB 870 PP 0DB AMP-A	824-702-202-OCE
CHAS-HD-EI SGLHYB 870 PP 12DB AMP-A	824-702-204-OCE
CHAS-HD-NI SGLHYB 870 PP 14DB AMP-A	824-702-206-OCE
CHAS-HD-R SGLHYB 200MHZ PP23DB AMP-A	824-702-300-OCE
CHAS-HD-R SGLHYB 50MHZ PP23DB AMP -A	824-702-302-OCE
CHAS-HD-RD XTR 200 ODB REVSPLTR-A	824-702-310-OCE
CHAS-HD-RD XTR 50MHZ ODB REVSPLTR-A	824-702-312-OCE



CableServ Inc.

4560 Eastgate Parkway
Mississauga, Ontario, Canada L4W 3W6
Telephone: (905) 629-1111
Fax: (905) 629-1115
Toll Free: 800-668-2033
E-mail to: inquiries@cableserv.com

Visit us at www.cableserv.com